

1-Port Gigabit GPON Terminal

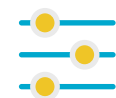
GP601R-V3



Gigabit Port



Fiber Access

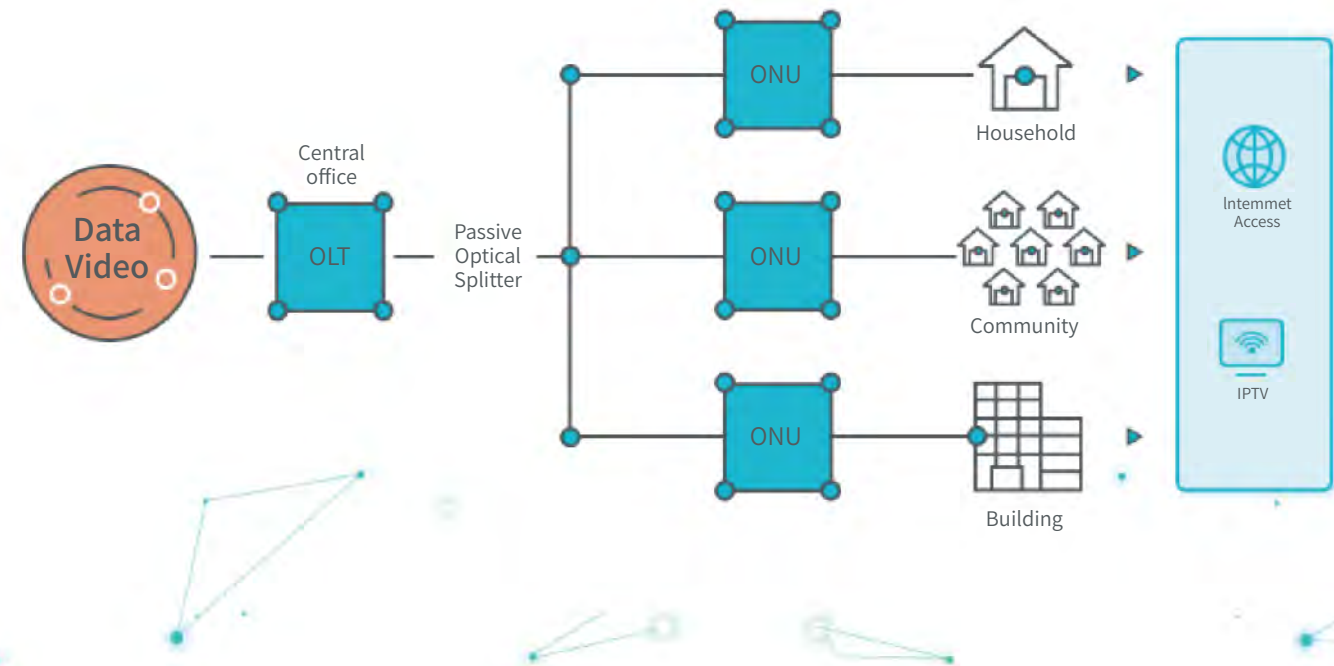


Qos

Shenzhen Comnect Technology Co., Ltd

Access to Fiber Optical Network

Support downstream 2.5Gbps and upstream to 1.25Gbps with transmission distance up to 20km. Higher bandwidth support makes it possible to integrate and provide more additional services.



Easy Remote Management

GP601R-V3 support the ONT Management and Control Interface (OMCI), making it easy to configure, activate and manage remotely from an Optical Line Terminal(OLT).



Fiber access and gigabit port provide incredibly fast transfer speeds

GP601R-V3 is a next-generation Gigabit Passive Optical Network (GPON) router, ideal for Fiber to The Home solution. It's an incredibly robust device allowing users to access high-speed internet connections via its GPON port and share it with a Gigabit Ethernet port.



Specifications

General

- GPON Standards: ITU-T G.984
- Distance: 20Km Max
- Data Rates: Upstream:1.25Gbps, Downstream:2.5Gbps

Hardware

- Interfaces: 1 x SC/APC GPON Port, 1 x 10/100/1000Mbps LAN Port,
- Buttons: Power ON/OFF Button, Reset Button
- Power Supply: DC 12V 0.5A
- Dimensions (W X D X H): 90*73*25.2mm

Software Features

- Quality of Service: WMM, Bandwidth Control
- Port Forwarding: L2/L3 forwarding, L3 NAT
- VPN: 802.1Q tag VLAN, VLAN transparent mode/VLAN translation mode/VLAN trunk mode
- Access Control: Local Management Control, Host List, Access Schedule, Rule Management
- Firewall Security:
 - DoS, SPI Firewall
 - IP Address Filter/MAC Address Filter/Domain Filter
 - IP and MAC Address Binding
- Management: Access Control, Local Management, Remote Management

Environment

- Operating Temperature: 0°C~40°C (32°F~104°F)
- Storage Temperature: -40°C~70°C (-40°F~158°F)
- Relative Humidity: 10%~90%, non-condensing
- Storage Humidity: 5%~95%, non-condensing

Package Contents

- 1 x GPON Router
- 1 x Power Adapter
- 1 x Ethernet Cable

Certifications

- CE, RoHS

